

Kangyale®



Kangyale® 康雅乐

广州市康雅乐家居科技有限公司  
Guangzhou Kangyale Home Technology CO.,LTD

电话(TEL):(0086-20)39294198 39294888  
传真(FAX):(0086-20)39294228 39294188  
邮箱(E-MAIL):sales@kangyale.com  
sales@speedycreator.com  
网址(WEBBSITE):www.kangyale.com



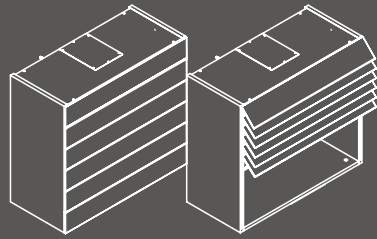
www.kangyale.com



康雅乐微信公众平台

智能电动窗使用说明书

INSTRUCTION MANUAL FOR SMART ELECTRIC WINDOW



感谢您选购智能电动窗！我们希望它能为您带来舒适生活。我们相信这款全新储物家私将为您节省更多的空间，让您拥有更多高品质的时间，尽享优质智能的生活。

若遇到此说明书无法解决的问题，请联系我们的售后服务中心，将有专业人员为您解答问题。

本资料产品以实物为准，原厂保留产品更新的权利，如有变动，恕不另行通知。

Thank you for choosing wisdom cabinet! We hope it can bring you a comfortable life. We believe that this new storage furniture will save you more space, let you have more high-quality time, enjoy high-quality intelligent life.

If you encounter any problems that cannot be solved by this manual, please contact our after-sales service center, and a professional staff will answer your questions.

This information is subject to the actual product, the original factory reserves the right to update the product, subject to change without prior notice.

## MENU 目录

安装使用说明书 Installation instructions	2~6
安全说明 Safety instructions	7
包装箱内物品 Packing contents	8
部件名称 Part name	9
产品规格和技术参数 Product specifications and technical parameters	10
使用前准备 Prepare before use	11
使用方法 Method of use	12
产品清洁 Product cleaning	13
恢复出厂设置 Restore factory settings	14
异常情况排除 Exclusion of abnormal conditions	14
搬运、验收 Handling and acceptance	15
售后服务 After-sales service	16
维修记录 Maintenance records	16~17
客户反馈表 Customer feedback form	18

# WISDOM CABINET

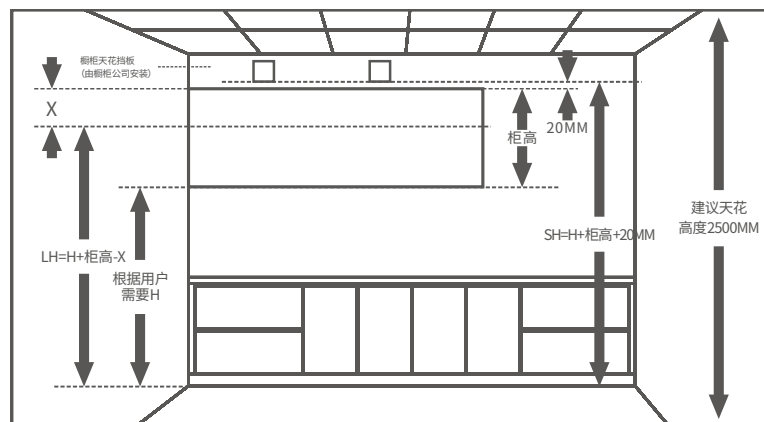
## 智能电动窗使用说明

### 1、准备好安装工具



### 2、安装要求及计算安装高度

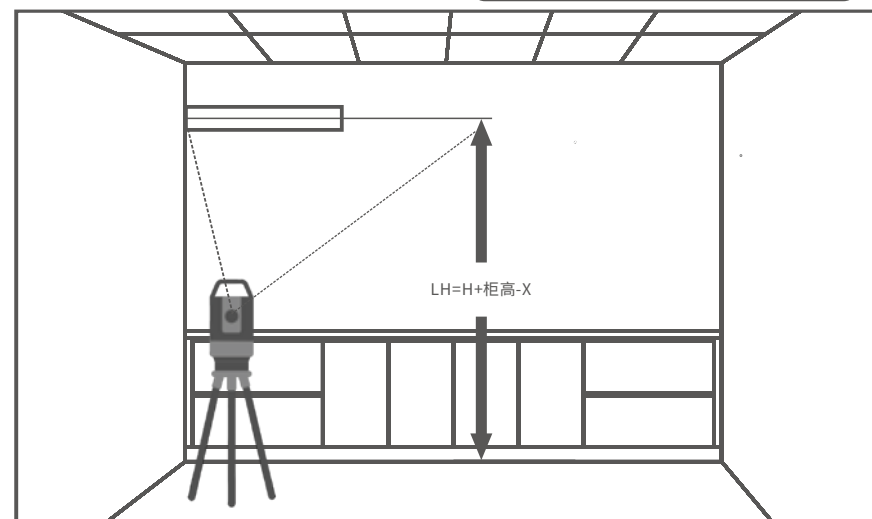
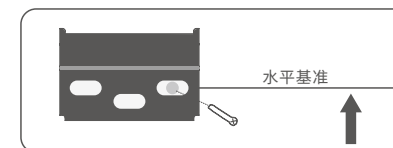
1. 核对所购电动窗的系列, 对应挂码吊片;
  2. 安装墙面须是砖墙或承重墙, 须能承受3倍柜体重量(约150kg);
  3. 安装打孔时, 冲击钻与水平面成 $10^{\circ}$ ~ $15^{\circ}$ 角打入, 如图所示;
  4. 安装在墙体的M6膨胀螺丝, 安装后每颗必须能承受100kgf以上拉力;
  5. 电源插座离地高度 $SH=H+\text{柜高}+20\text{mm}$ , 挂板见挂码吊片中心(见挂码吊片)离地高度 $LH=H+\text{柜高}-X$ ;建议天花高度2500mm(X数值见挂码吊片).
1. Check the series of electric Windows purchased, corresponding to the hanging plate;  
2. The installed wall shall be brick wall or load-bearing wall, which shall be able to bear 3 times the weight of cabinet (about 150kg);  
3. Drill  $10^{\circ}$ ~ $15^{\circ}$  angles into the horizontal plane when installing drilling, as shown in the drawing ;  
4. Each M6 expansion screw installed on the wall must be able to withstand drawing force above 100kg. after installation;  
5. The height of power socket off the ground  $SH = H + \text{cabinet height} + 20\text{mm}$ , See hanging board hanging yard hanging plate center (see hanging yard hanger) height off the ground  $LH = H + \text{cabinet height} - x$ ; Ceiling height is recommended at 2,500mm (X numerical value see hanging code hanger).



### 3、开始安装

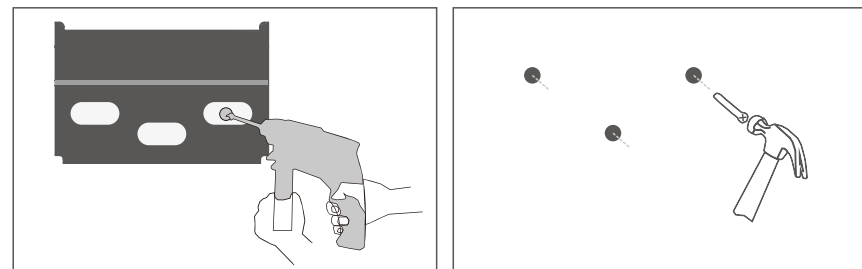
3.1 根据计算的尺寸固定安装墙壁挂码吊片, 用水平仪对准挂码吊片的水平仪基准线将挂码吊片成水平状态。 $LH=H+\text{柜高}-X$

Fix the size calculated by the root and install the Wall hangers. Align the yard hanger with the datum line of the level of the template paper and make the template into the horizontal state of the paste chamber.  $LH = \text{high } H + \text{ark} - X$



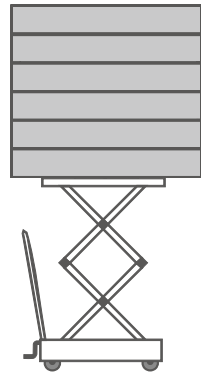
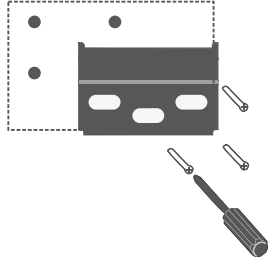
3.2 用冲击钻(钻头直径中8.0)对准挂码吊片上的圆孔进行钻孔深度约80mm。(注:如墙面是瓷砖或大理石等, 请使用专用钻头, 先钻孔后再用冲击钻钻墙体, 冲击钻与水平面成 $10^{\circ}$ ~ $15^{\circ}$ 角打入)

3.3 将配件包内的塑胶膨胀塞完全敲入钻孔内。  
Tap the plastic expansion plug of the accessory package into the borehole.



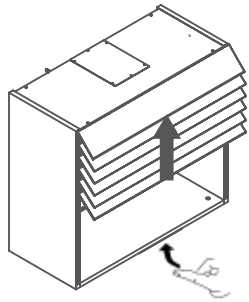
With a percussion drill (drill bit diameter 8.0) with the round hole on the yard hanger drilling depth of about 80mm. (note: if the wall is ceramic tile or marble, please use a special drill bit. Drill the wall first and then use impact drill, which is drilled at an Angle of  $10^{\circ}$ ~ $15^{\circ}$  with the horizontal plane.

3.4 用配套螺丝安装固定配件包内的两个挂板，两个挂板必须牢固安装在墙体上。  
Install the two hanging plates in the fixing accessories package with matching screws. The two hanging plates must be firmly installed on the wall.

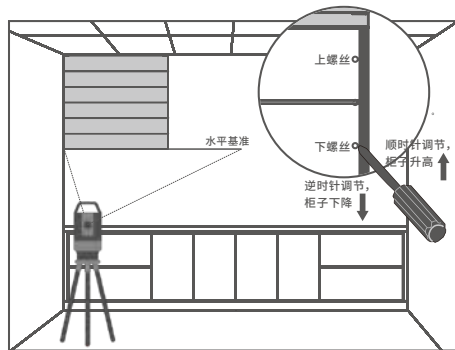


3.5 用托举车或者人力托举沿着墙面垂直抬起电动窗，是电动窗背部的吊码挂住墙面挂板。  
Use a lift car or human lifts vertical lift along the wall. Electric window is the hanging code on the back of the electric window to hang the wall hanging board.

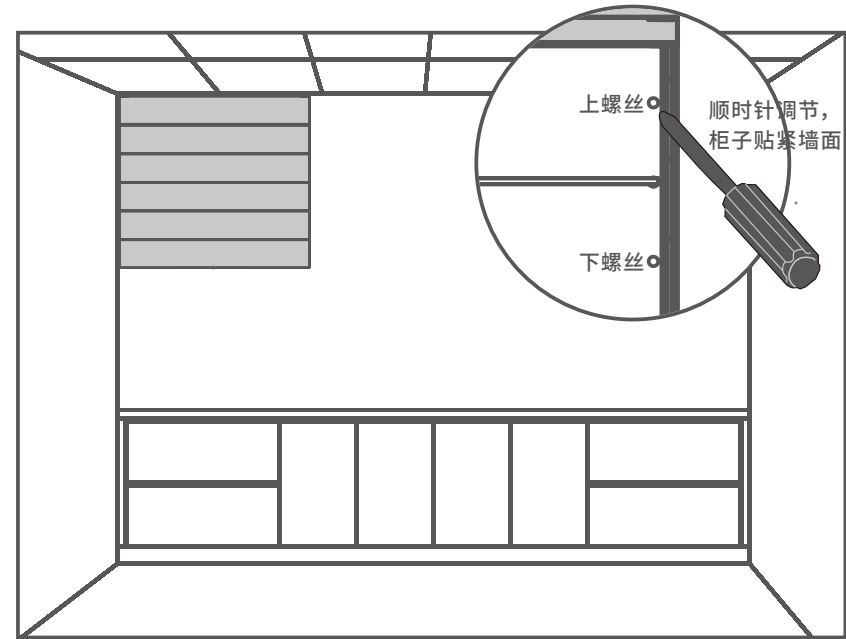
3.6 接通电源，触摸底部智能感应板，打开电动窗。  
Turn on the power, touch the smart sensor on the bottom, and open the power window.



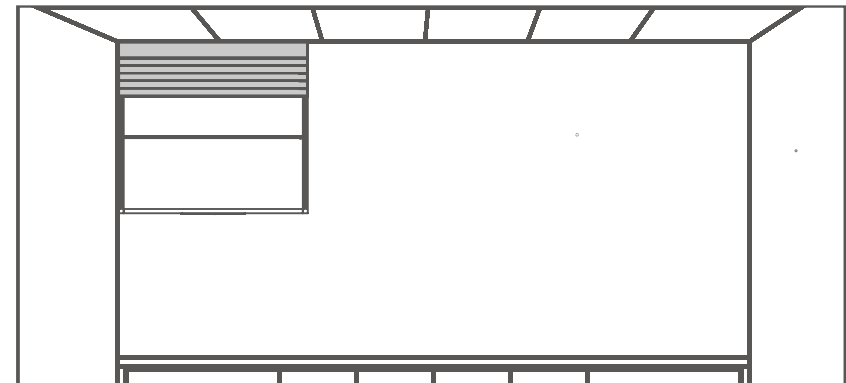
3.7 用水平仪针对柜子底部打水平，如左右高低有偏差，调节柜子背板上左右两侧的下螺丝，顺时针调节，柜子可升高；逆时针调节，柜子可下降。  
Use the level instrument to level the bottom of the cabinet. If there is any deviation between the left and right heights, adjust the lower screws on the left and right sides of the back plate of the cabinet. Adjust clockwise to raise the cabinet; Counterclockwise adjustment, cabinet can be lowered.



3.8 水平调整完后顺时针拧紧柜子两侧的上螺丝，使柜子贴紧墙面调节完成后盖上塑料盖。  
After horizontal adjustment, screw the upper screws on both sides of the cabinet clockwise to make the cabinet stick to the wall. After adjustment is complete, cover the plastic cover.



3.9 触摸柜子底部智能感应板，测试电动窗是否正常打开以及关闭，安装完成。  
Touch the intelligent sensor panel at the bottom of the cabinet to test whether the power window is open and closed normally. The installation is complete.



## 安全说明 SAFETY INSTRUCTIONS

使用产品前请仔细阅读此说明书。请保管好此说明书。

1.产品不能由8岁以下的儿童缺乏正常使用知识的人士使用;若需要在监督指导下进行。请不要让儿童将产品作为玩具玩耍。

2.使用环境:

- a.不适于安装在室外露天的环境使用;
- b.避免长时间的日光暴晒、高能灯照射,以及有腐蚀性的其它场合;
- c.适用于温度5°C-40°C,相对湿度35%-80%的环境。

3.柜门开启中,不可拉拽柜门;柜门关闭中,不可阻挡柜门,防止夹伤。

4.请勿用手强力拉拽或悬吊隔层玻璃或底板。

5.产品在运作时,请始终保持产品处于通电状态。

6.禁止尖利器具撞击或刮拭玻璃或柜体表面。

7.禁止放入强酸、强碱等有害物品或其他易燃物品。

8.禁止在左右导轨内插入异物。

9.禁止在左右导轨标示区域钻孔挤压撞击。

10.请勿用大量的水或其他液体对柜体进行冲洗。

11.请确保电源电压符合说明书上标注的电压。

12.请依照本说明书的指示使用产品;因不当使用导致的任何损失和伤害,本公司概不负责。

Please read this instruction carefully before using the product.

Please keep this instruction manual.

1. The product cannot be used by children under 8 years old who lack the knowledge of normal use; necessary, please conduct under supervision. Please do not allow children to play with products as toys

2. Operating environment:

- A. not suitable for outdoor use;
- B. Avoid prolonged exposure to sunlight, high-energy lamps and other corrosive situations;
- C. Suitable for environment with temperature of 5°C-40 and relative humidity of 35%-80%

3. Do not pull the cabinet door when it is open; When the cabinet door is closed, it cannot stop the cabinet door to prevent pinching.

4. Do not forcefully pull or suspend the partition glass or bottom plate by hand

5. When the product is in operation, please always keep the product in the powered state.

6. Sharp instruments shall not strike or scratch the surface of glass or cabinet.

7. Do not put in harmful substances such as strong acid, strong alkali or other inflammable substances

8. Foreign bodies are prohibited to be inserted in the left and right guide rails.

9. Do not drill and squeeze in the area marked by left and right guide rails.

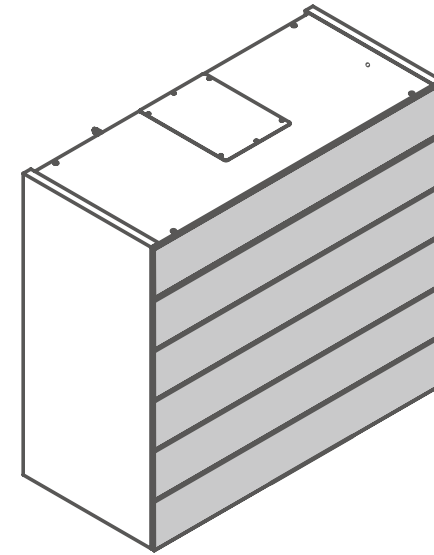
10. Do not flush the cabinet with plenty of water or other liquids

11. Please ensure that the power supply voltage conforms to the voltage indicated on the nameplate label.

12. Please use the product according to the instructions in this manual;

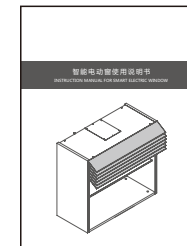
We are not responsible for any loss or injury caused by improper use.

## 包装箱内物品 PACKING CONTENTS



智能电动窗(橱柜、展示柜、化妆柜)

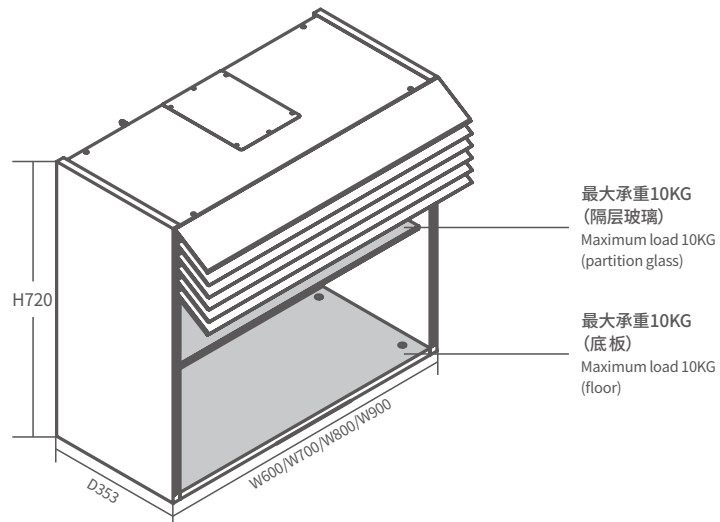
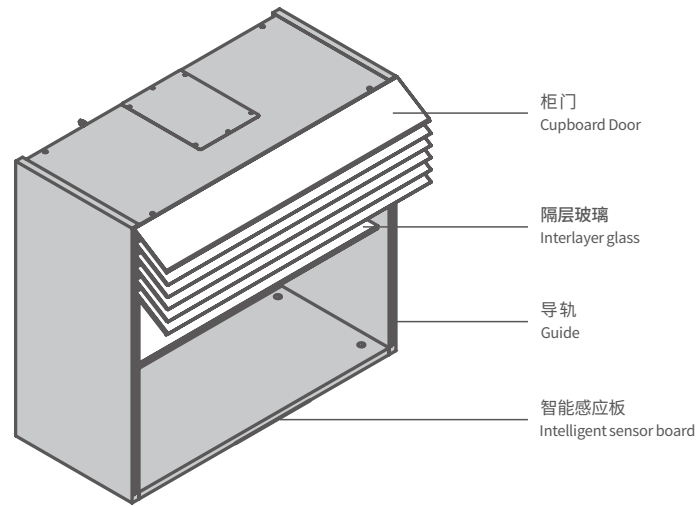
Smart electric window(cabinet, display cabinet, makeup cabinet)



安装使用说明书  
Installation and operation  
instructio



配件包  
Accessories package



**整柜最大承重: 30KG**  
MAXIMUM LOAD OF FCL: 30KG

橱柜 AMBRY

外形尺寸 (MM) Overall dimension	W600xD353xH720	W800xD353xH720	W900xD353xH720
重量 (KG) Weight	39	44.3	51.3
输入电源 The input power	220±10%VAC, 50Hz		
额定功率 Rated power	80W		
连续开关门时间 Continus opening and dosing time	不超过30分钟		

展示柜 REVEAL ARK

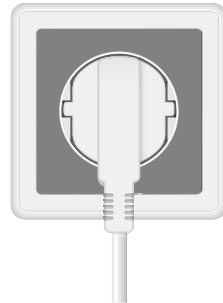
外形尺寸 (MM) Overall dimension	W900xD353xH720	W800xD355xH720	W600xD355xH720
重量 (KG) Weight	48	41.3	36
输入电源 The input power	220±10%VAC, 50Hz		
额定功率 Rated power	80W		
连续开关门时间 Continus opening and dosing time	不超过30分钟		

化妆柜 MAKE-UP TANK

外形尺寸 (MM) Overall dimension	W900xD353xH720	W800xD353xH720	W600xD353xH720
重量 (KG) Weight	40.3	37.2	35
输入电源 The input power	220±10%VAC, 50Hz		
额定功率 Rated power	80W		
连续开关门时间 Continus opening and dosing time	不超过30分钟		

## 使用前准备 PREPARE BEFORE USE

检查是否接通电源。  
Check if the power is on.

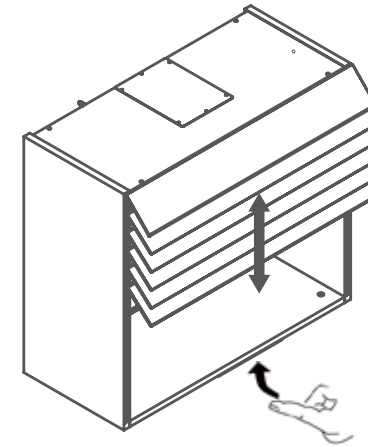


首次使用,根据本说明书的“使用方法”把柜门打开,然后移除柜门表面的防护套,确保产品正常使用。

For the first use, open the cabinet door according to the "use method" in this manual, and then remove the protective cover on the surface of the cabinet door to ensure the normal use of the product.



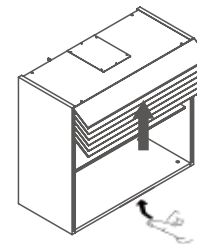
## 使用方法 METHOD OF USE



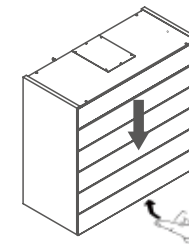
### 一、柜门控制 Cabinet door control

控制方法:用手触摸智能感应板,触摸时间大于0.5秒,小于2秒后放开。

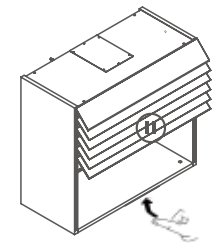
Control method: touch the intelligent sensor board of the mode with your hand. The touch time is greater than 0.5 seconds and less than 2 seconds before releasing.



打开:  
玻璃柜门处于关闭状态时,触摸底部智能感应板,柜门自动上升折叠后打开,到达顶部完全打开后自动停止。



关闭:  
玻璃柜门处于打开状态时,触摸底部智能感应板,柜门自动下降展开后关闭,到达底部关闭后自动停止。



停止:  
玻璃柜门正在上升打开或下降关闭时,触摸底部智能感应板,柜门会自动停止。

### 二、灯光控制 Lighting control

控制方法:用手触摸智能感应板,触摸时间10秒,改变灯光开关状态(常开/常关/随柜门开关)。

Control method: touch the intelligent sensor board with your hand, touch for 10 seconds, change the light switch state (normally on/off/with the cabinet door).

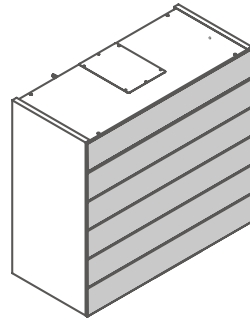
## 产品清洁 PRODUCT CLEANING

### 1. 玻璃门清洁:

关闭玻璃柜门,将玻璃水、清洁剂或清水喷雾到柔布或软纸上轻轻擦拭。

### 1. Glass door cleaning:

Close the glass cabinet door and gently wipe the glass water, detergent or water spray onto a soft cloth or paper.

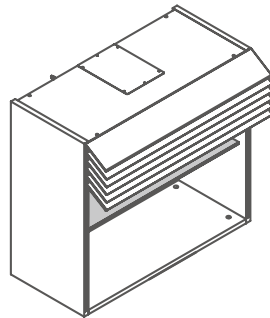


### 2. 隔层玻璃清洁:

打开玻璃柜门,将玻璃水、清洁剂或清水喷雾到柔布或软纸上轻轻擦拭。

### 2. Partition glass cleaning

Open the glass cabinet door and gently wipe the glass water, detergent or water spray onto a soft cloth or paper.

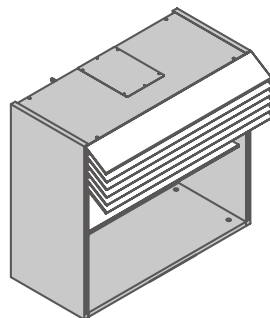


### 3. 柜体清洁:

将玻璃水、清洁剂或清水喷雾到待清洁表面,用柔布或软纸上轻轻擦拭。

### 3. Cabinet cleaning:

Spray glass water,cleanser or water onto the surface to be cleaned and wipe gently with a soft cloth or paper.



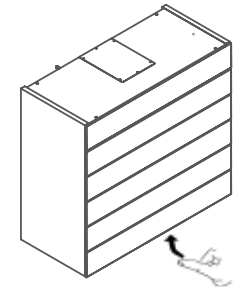
## 恢复出厂设置 RESTORE FACTORY SETTINGS

当柜门出现异常时需要重新设置,设置方法如下:

When the cabinet door is abnormal, it needs to be reset. The setting method is as follows:

长按智能感应板10秒或以上,柜门开始运行,(柜门会自动上下两次),完成设置。

Long press the intelligent sensor board for 10 seconds or more, and the cabinet door will start to run (the cabinet door will automatically move up and down twice),and the setting will be completed.



## 异常情况排除 EXCLUSION OF ABNORMAL CONDITIONS

	异常现象 Abnormal phenomenon	可能原因 Possible reasons for	解决方法 The solution
1	触摸智能感应板后, 玻璃柜门无反应 After touch intelligent induction plate,Glass cabinet door does not react	电源插座未连接 The power socket is not connected	将控制电源插头 插入电源插座内 Insert the control plug into the power socket
		电源插座未通电 The power socket is not on	接通电源插座 Switch on the power socket
2	柜门不能完全 打开与关闭 Cupboard door is not fullyOpening and closing	位置错误 The wrong location	重新恢复出厂设置 (见第8项) Restore factory Settings (see item 8)
3	柜门打开或关闭时 突然向反方向运动 The door moves suddenly in the opposite direction when it opens or closes	柜门阻力太大 Cabinet door resistance is too big	重新恢复出厂设置 (见第8项) Restore factory Settings (see item 8)

## 搬运、验收 HANDLING AND ACCEPTANCE

1. 必须按照外包装标识上的说明, 轻搬轻放;
  2. 检查外包装是否有破损或撞击痕迹, 如果有破损或明显撞击痕迹, 请在签收前拍照确认;
1. Must follow the instructions on the label of the outer packaging, gently move;
  2. Check the outer packing for any damage or impact marks, If there is any damage or obvious impact marks, please take photos for confirmation before signing for the package;

### 一、质量承诺

电动窗在出厂前已经调试完成, 客户收到产品后, 必须检查外包装有没有破损或撞击痕迹; 并由专业人员安装; 使用产品前请留意以下几个方面:

The electric window has been debugged before leaving the factory. After receiving the product, the customer must check whether there is any damage or impact mark on the packaging. And installed by professionals; Please pay attention to the following aspects before using the product:

1. 整体外观质量
    - a. 安装好的电动窗, 所有缝隙横平竖直, 柜底平齐;
    - b. 柜体可视部位, 无明显划伤、色差或变形;
    - c. 柜体内部无明显漏光缝隙或崩边缺角。
  2. 基本功能
    - a. 开启或关闭柜门时无异常响声、无卡阻或跳动、无开启或关闭不到位现象;
    - b. 灯光均匀无闪烁或断点。
1. Overall appearance quality
    - A. Installed power window, all gaps horizontal and vertical, cabinet bottom level;
    - B. Visible parts of the cabinet, without obvious scratches, color difference or deformation;
    - C. There is no obvious light leakage crack or edge reakeage missing Angle inside the cabinet.
  2. Basic functions
    - A. When opening or closing the cabinet door, there is no abnormal noise, no blocking or jumping, and no opening or closing is not in place;
    - B. Uniform lighting without flicker or break point.

### 二、环保性能保证 ENVIRONMENTAL PERFORMANCE GUARANTEE

达到国家强制性环保标准(标准号GB185842001)要求的甲醛释放量

Formaldehyde emission amount required by national mandatory environmental protection standard (standard no.GB18584 2001)

11. 注意事项
 

The warranty does not cover the following conditions:

  1. Install outdoors;
  2. The installation method is not correct according to the requirements of the installation manual;
  3. It is not used in the correct way;
  4. Misuse, wanton destruction, abuse, negligence or accident;
  5. Improper installation, cleaning or maintenance;
  6. Improper use of ambient temperature or humidity;
  7. Caused by fire, flood or natural disaster;
  8. Use non-matching parts of our company.

本产品不可安装在仓促完工的建筑或房屋, 相对湿度超过最低安全限度(超过80%)的环境里, 房屋墙壁刚完成装修后, 房屋要在自然通风或用专用干燥设备干燥至少两周才可安装产品, 安装人员在产品安装前必须检查环境条件是否适合安装。

This product can not be installed in a hasty completion of building or house, relative humidity above the minimum safety limits (over 80%) environment, building wall light into, after decorating houses in natural ventilation or dry for at least two lweeks can be installed with special drying equipment products, the installation personnel before the product installation must check whether environmental conditions suitable for installation.

## 售后服务 AFTER-SALES SERVICE

- 非人为损坏, 智慧柜产品柜体保修期为24个月;
- Non-artificial damage, intelligent cabinet products cabinet body warranty period is 24 months;

## 维修记录 MAINTENANCE RECORDS

日期 Date	维修记录 Maintenance record	维修人员 Maintenance personnel	维修人员联系方式 Contact information of maintenance personnel

## 维修记录 MAINTENANCE RECORDS

日期 Date	维修记录 Maintenance record	维修人员 Maintenance personnel	维修人员联系方式 Contact information of maintenance personnel

## 客户反馈表 CUSTOMER FEEDBACK FORM

为了掌握本厂产品出厂后的质量情况,随时了解顾客的意见和要求,请将本厂产品使用情况和您对本厂产品的意见及建议反馈给我们,以便不断提高产品质量,更好地为您服务。

In order to master the quality of our products after leaving the factory, and to know the customer's opinions and requirements at any time, please give us the feedback of our product usage and your opinions and suggestions on our products, so as to constantly improve the product quality and better serve you.

客户反馈表 CUSTOMER FEEDBACK FORM	
客户名称 The customer name	
联系方式 Contact	
安装地址 The installation address	
购买日期 Purchase date	
产品型号 Product model	
问题/建议 Questions/Suggestions	